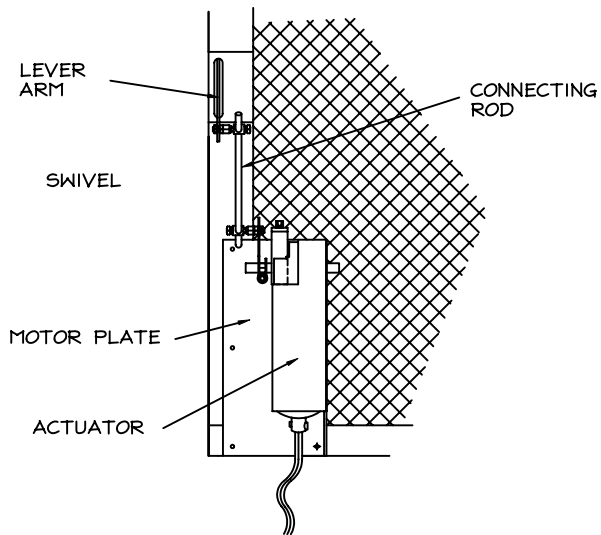
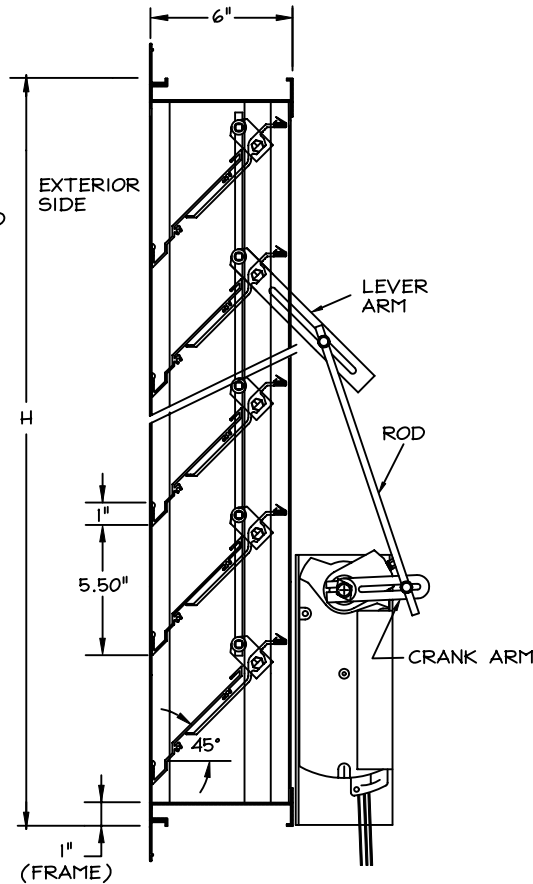


FRONT ELEVATION



REAR VIEW



VERT. SECT.

STANDARD CONSTRUCTION
 MODEL: C-DWE-46-1E8T-EX
 FRAME: .081" THK. EXTRD ALUM. 6063-T5
 BLADES: .081" THK. EXTRD ALUM. 6063-T5
 SEALS: VINYL BLADE & ALUM. JAMB SEALS
 ADJ. BLADE: .125" THK. ADJ. BLADE
 LINKAGE: PLATED STEEL CONCEALED IN JAMB
 SCREEN: EXPANDED ALUM. SCREEN IN FRAME
 ACTUATOR: DIRECT DRIVE
 FINISH:

NOTES:

1. ALL LOUVERS TO BE FABRICATED 1/4" UNDER LISTED OPNG. SIZES UNLESS SPECIFIED "ACTUAL".
2. ALL OPNG SIZES TO BE FIELD VERIFIED AND GUARANTEED BY OTHERS PRIOR TO FABRICATION.
3. OTHER SURROUNDING FINISHES ARE FOR REFERENCES ONLY AND TO BE SUPPLIED BY OTHERS.

LOUVER SCHEDULE

TAG	QTY	OPNG SIZE (WXH)	ACTUATOR

CDWE-46 LVR.
 W/ DIRECT DRIVE MTR.

DOWCO DEPENDABLE PRODUCTS SINCE 1955
 1855 SOUTH 54TH AVENUE, CICERO, IL. 60650

ARCH/ENGR: _____ CUSTOMER: _____

REV.	DESCRIPTION	DATE	BY	PROJECT:	TITLE:
					CDWE-46/SERIES
				DATE: 2/20/01	DRAWN: JN
				CHKD: _____	DRWG #: D-670 1of1